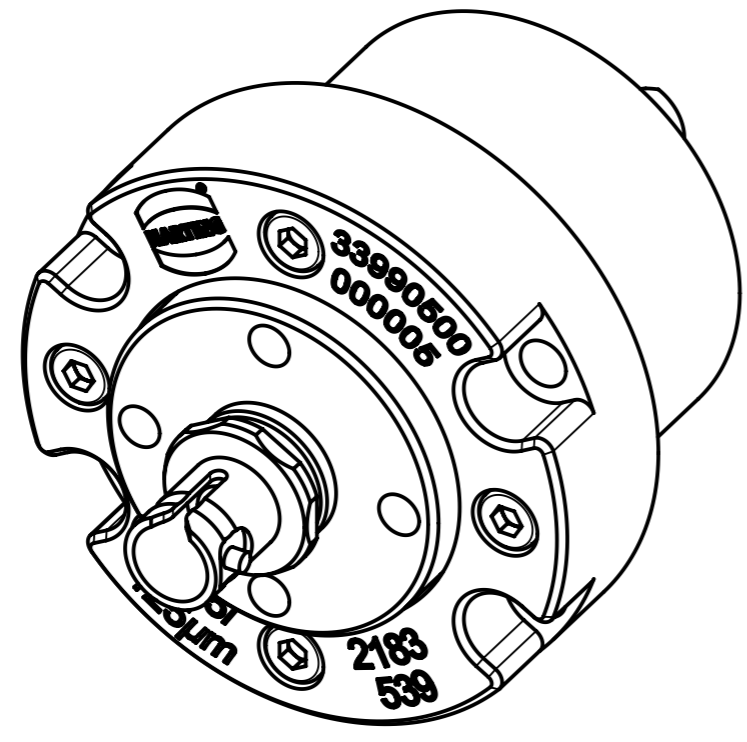


Mounting hole for  
4xDIN ISO 4762 M3  
cylindrical head screws  
stator-side

Mounting hole for  
4xDIN ISO 4762 M3  
cylindrical head screws  
rotor-side



	All rights reserved Department HCS - RO	Created by COSTEA		Inspected by STOCECIC		Standardisation MUNTEANV		Date 2018-10-23		State Final Release	
		Title FORJ, MM 62.5 ST-ST						Doc-Key / ECM-Nr. 100705826/UGD/000/B 50000014.154.9			
HARTING Customised Solutions D-32339 Espelkamp		Type TB		Number 33990500000005				Rev. B		Page 1/1	